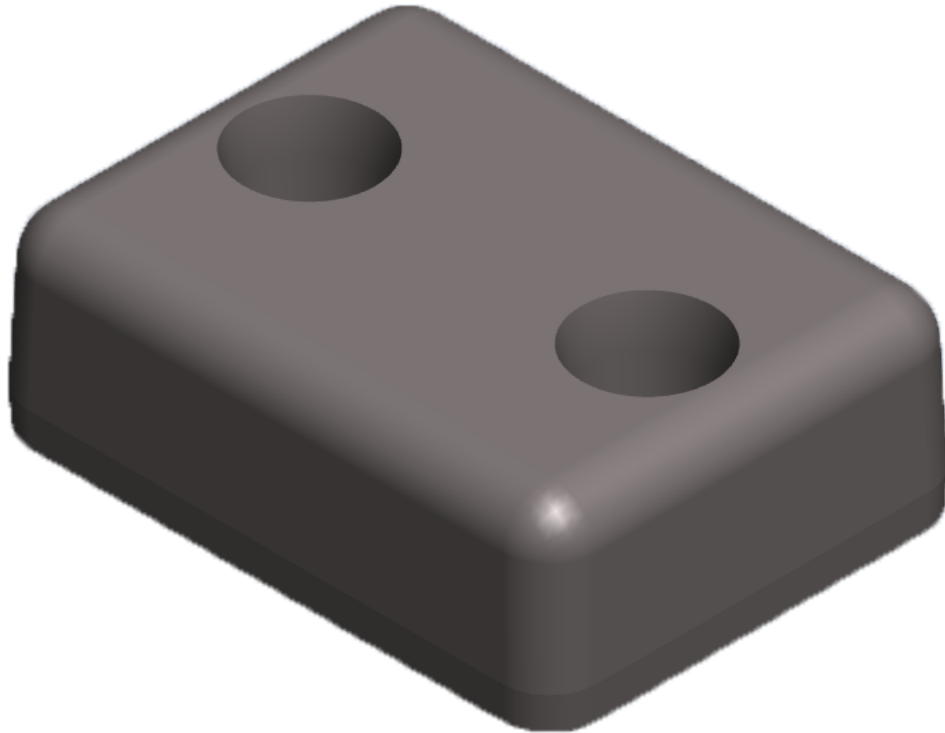




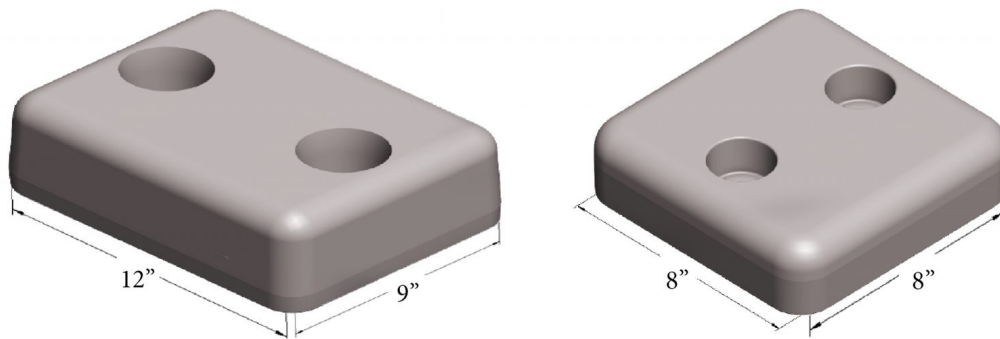
## Bolt On Wear Runners



## Bolt On Wear Runners Available Now!

Spokane now makes the Hensley Industries replacement bolt on wear runners. Use them to get extended wear life and protection on your wheel loaders, excavators, dragline buckets, or mining chutes with particularly abrasive materials and high impact areas. They are mechanically attached to a weld-on base for easy installation and change outs.

**Contact Us**  
(/contact-us-mining/)



## Success with Spokane

Spokane's Si-Tec® Bolt-On Wear Runners have been responsible for 65% increase in wear life in some applications. In addition to the extended life, they helped to improve wear life in nearby support liners, leading to fewer shutdowns and increased uptime.

See our customer success story for additional details on how our bolt-on wear runners perform in a particularly challenging mining application.

**Success Stories**  
(/mining-customer-success/)

### SPOKANE INDUSTRIES

OEM Steel Castings(/commercial-oem-steel-castings/)

Aggregate Wear Parts(/wear-parts-home/)

Mining Wear Castings(/mining-wear-parts/)

Investment Castings(<https://spokaneprecisioncastings.com/>)

**AGGREGATE WEAR PARTS**

[Home\(/wear-parts-home/\)](#)

[Si-Tec@\(/si-tec/\)](#)

[Impact Crushers\(/impact-crushers/\)](#)

[Success Stories\(/success-stories/\)](#)

[News\(/news/\)](#)

[Contact Us\(/contact-us/\)](#)

**MINING WEAR CASTINGS**

[Home\(/mining-wear-parts/\)](#)

[Si-Tec@\(/si-tec-mining/\)](#)

[Wear Runners\(/wear-runners/\)](#)

[Chute Liners\(/chute-liners/\)](#)

[Universal Wear Liners\(/universal-wear-liners/\)](#)

[Customer Success\(/mining-customer-success/\)](#)

[Contact Us\(/contact-us-mining/\)](#)

**INVESTMENT CASTINGS**

[Home\(/precision-castings-home/\)](#)

[Alloys\(/precision-castings-alloys-spokane-industries/\)](#)

[Process Overview\(/precision-castings-process-overview/\)](#)

[Contact Us\(/precision-castings-contact-us/\)](#)

**ABOUT**

[Spokane Industries History\(/spokane-industries-history\)](#)

[Employment\(/employment/\)](#)

[Cookies and Privacy Policy\(/cookie-and-privacy-policy\)](#)

© Spokane Industries, All Rights Reserved

		(htt
		ps:/
		/ww
	(htt	w.y
	ps:/	out
	/ww	ube.
	/twi	com
	tter.	/cha
	co	ook.
	co	fcom
	ok	/Sp
	ane	oka
	ndu	nel
	stry	ndu
	)	strie
		s/)
		(htt
		ps:/
		/ww
		w.y
		out
		ube.
		com
		/cha
		nel
		/UC
		5e0
		kIVs
		Cwl
		Q18
		lAt4
		2VI
		4g)